

Leading The Way In... STABILITY & DURABILITY



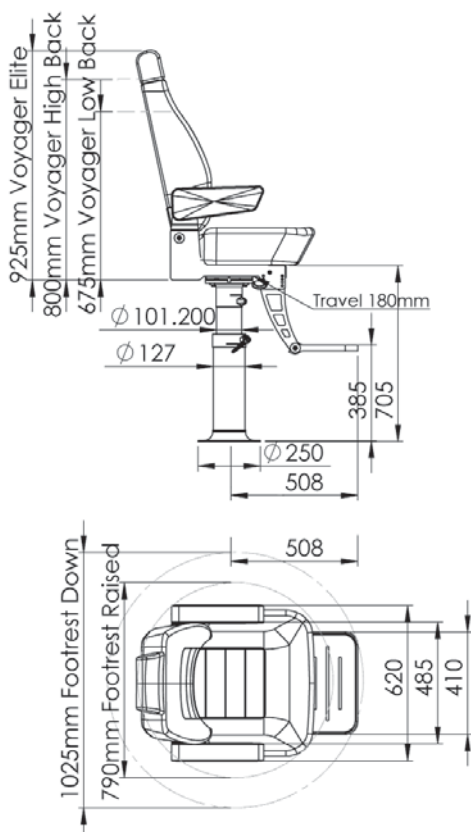
VOYAGER SERIES II LOW BACK HELM SEAT

Specifications

- 316 Stainless Steel
- Reclining back rest
- Fore & aft slide
- Lift up arms
- Molded foams
- Available in a full range of colours
- Upholstered in leather with options of vinyl, ultra leather or customers own materials
- Compatible with our complete range of helm seat pedestals

Options

- Voyager Low Back (shown)
- Voyager High Back
- Voyager Elite (includes Head Rest)
- Twin Helm Seat
- Customization
- Fitted to our range of stainless pedestals or plinth mounted
- Footrest with inlay



Factory 3, 209 Liverpool Road, Kilsyth, Victoria 3137, Australia
Tel: 1300 300 089 International: +61 (3) 9761 9322
Email: sales@marinetechindustries.com
www.marinetechindustries.com.au

VOYAGER
LOW BACK

Leading The Way In... STABILITY & DURABILITY



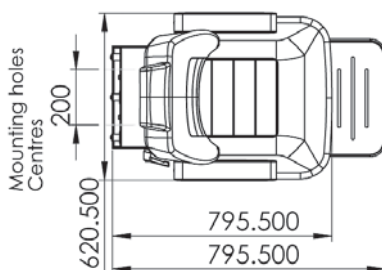
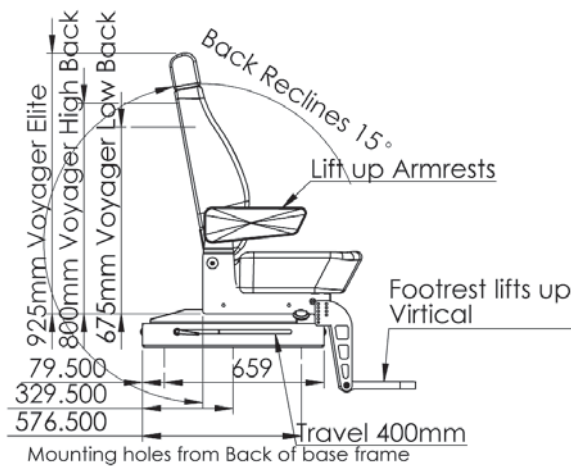
VOYAGER SERIES II ELITE HELM SEAT

Specifications

- 316 Stainless Steel
- Reclining back rest
- Fore & aft slide
- Lift up arms
- Molded foams
- Available in a full range of colours
- Upholstered in leather with options of vinyl, ultra leather or customers own materials
- Compatible with our complete range of helm seat pedestals

Options

- Voyager Low Back (shown)
- Voyager High Back
- Voyager Elite (includes Head Rest)
- Twin Helm Seat
- Customization
- Fitted to our range of stainless pedestals or plinth mounted
- Footrest with inlay



Factory 3, 209 Liverpool Road, Kilsyth, Victoria 3137, Australia
Tel: 1300 300 089 International: +61 (3) 9761 9322
Email: sales@marinetechindustries.com
www.marinetechnologies.com.au