



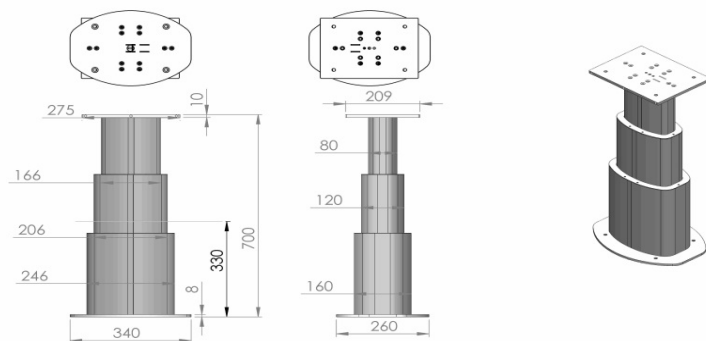
## Hercules Aluminium Adjustable Electric Table Pedestal - AADJE1

This Adjustable Electric Table Pedestal is a high quality addition to our Hercules range of table pedestals. It's elliptical design is only a small part of the versatility this product offers, we can also custom design to suit the application.



### SPECIFICATIONS

Height Extended:	750mm
Height Down:	350mm
Travel:	350mm
Thrust:	150kg
Motor:	12V DC or 24V DC
Duty Cycle:	2 minutes of continuous use 18 minutes delay time
Protection Class:	IP66 dynamic
Control Box:	240V in 12V or 24V output
Controller:	Panel rocker switch
Power Cable:	2.5m
Material:	Marine grade aluminium
Finish:	Anodised and nickle plated or Customise to your Decor
Bearing Weight:	40kg
Product Weight:	16.8kgs



**Note: This item can be manufactured to suit your requirements, as most applications differ between boats. MTIA has the ability to custom design & build products. Should you require this service please contact us at [sales@marinetechindustries.com](mailto:sales@marinetechindustries.com) or you can ring our offices on Freephone: 1300 300 089.**